

# Suspended luminaires

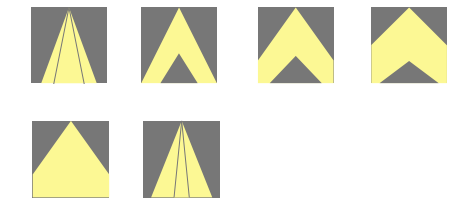
## Pendiro-Circinus



	MBFL 50 W	MBFL 100 W	BBS 35 W	BBS 70 W	BBS 100 W	BBS 150 W	LED Standard	LED Food
<b>Reflectors</b>								
Basic	●	●	●	●	●	●		
Spot								
Batwing (50°/70°/90°)	●	●	●	●	●	●		
WideWing	●	●	●	●	●	●		
MaxBeam (silver only)	●	●	●	●	●	●		
Flood								
Wallwasher								
LED Basic								
LED Spot								
<b>Reflector colours</b>								
Silver	●	●	●	●	●	●		
Nickel silver	●	●	●	●	●	●		
<b>Filters</b>								
Patented filter	●	●	●	●	●	●		
UV filter	●	●	●	●	●	●		
Shatter protection	●	●	●	●	●	●		
<b>Variant</b>								
Glass shades								
Acrylic shade								
LED ring (Basic and MaxBeam only)	●	●	●	●				

**Luminaire description**      Suspended luminaire  
Horizontal lamp

**Technical details**            Can be pivoted  
Filter holder included  
Canopy, multi-adapter (load hook available separately), or connector for rail system  
Weight: 6.5 kg

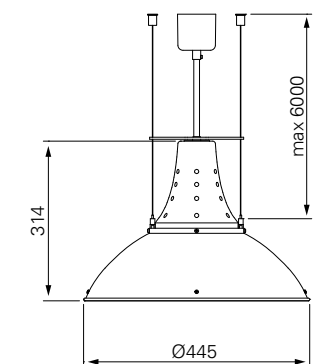


### Luminaire colours



### Variant

LED ring



## Product matrix

- Combination available
  - Particularly recommended
  - Mandatory order
- Luminaires with BBS lamps must always have a filter or shatter protection disc

## Luminaire colours

- Strato silver
- Silver
- White
- Black
- RAL special colours
- Gold anodised
- Silver anodised / chrome
- Steel brushed / aluminium blank

## Luminaire features

- IR No infrared rays
- UV No UV rays

## Glass colours

- White RAL 9010
- Champagne RAL 9001
- Yellow RAL 1018
- Orange RAL 2009
- Red RAL 3020
- Blue RAL 5013

## LED recess ring

- White
- Warm white
- Yellow
- Red
- Blue
- Green

## Reflectors

-  Basic
-  Spot
-  Batwing 50°
-  Batwing 70°
-  Batwing 90°
-  WideWing
-  MaxBeam
-  Flood
-  Wallwasher
-  WallBeam
-  LED Basic
-  LED Spot
-  Power-Basic
-  Power-Batwing 50°
-  Power-MaxBeam