

Surface luminaires

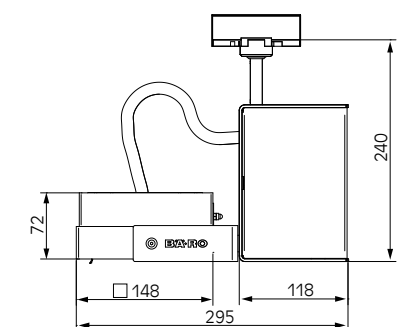
Ontero-Cetus



	MBFL 50 W	MBFL 100 W	BBS 35 W	BBS 70 W	BBS 100 W	BBS 150 W	LED Standard	LED Flood
Reflectors								
Basic								
Spot								
Batwing (50°/70°/90°)	•	•	•	•	•	•		
WideWing	•	•	•	•	•	•		
MaxBeam								
Flood								
Wallwasher								
LED Basic								
LED Spot								
Reflector colours								
Silver	•	•	•	•	•	•		
Nickel silver	•	•	•	•	•	•		
Filters								
Patented filter	•	•	•	•	•	•		
UV filter	•	•	•	•	•	•		
Shatter protection	•	•	•	•	•	•		
Luminaire description	Surface luminaire Horizontal lamp							
Technical details	Can be rotated and pivoted Electronic ballast included Fitted with multi-adaptor, wall box or connector for rail systems Weight: 2.7 kg							



Luminaire colours



Product matrix

- Combination available
 - Particularly recommended
 - Mandatory order
- Luminaires with BBS lamps must always have a filter or shatter protection disc

Luminaire colours

- Strato silver
- Silver
- White
- Black
- RAL special colours
- Gold anodised
- Silver anodised / chrome
- Steel brushed / aluminium blank

Luminaire features

- IR No infrared rays
- UV No UV rays

Glass colours

- White RAL 9010
- Champagne RAL 9001
- Yellow RAL 1018
- Orange RAL 2009
- Red RAL 3020
- Blue RAL 5013

LED recess ring

- White
- Warm white
- Yellow
- Red
- Blue
- Green

Reflectors

-  Basic
-  Spot
-  Batwing 50°
-  Batwing 70°
-  Batwing 90°
-  WideWing
-  MaxBeam
-  Flood
-  Wallwasher
-  WallBeam
-  LED Basic
-  LED Spot
-  Power-Basic
-  Power-Batwing 50°
-  Power-MaxBeam